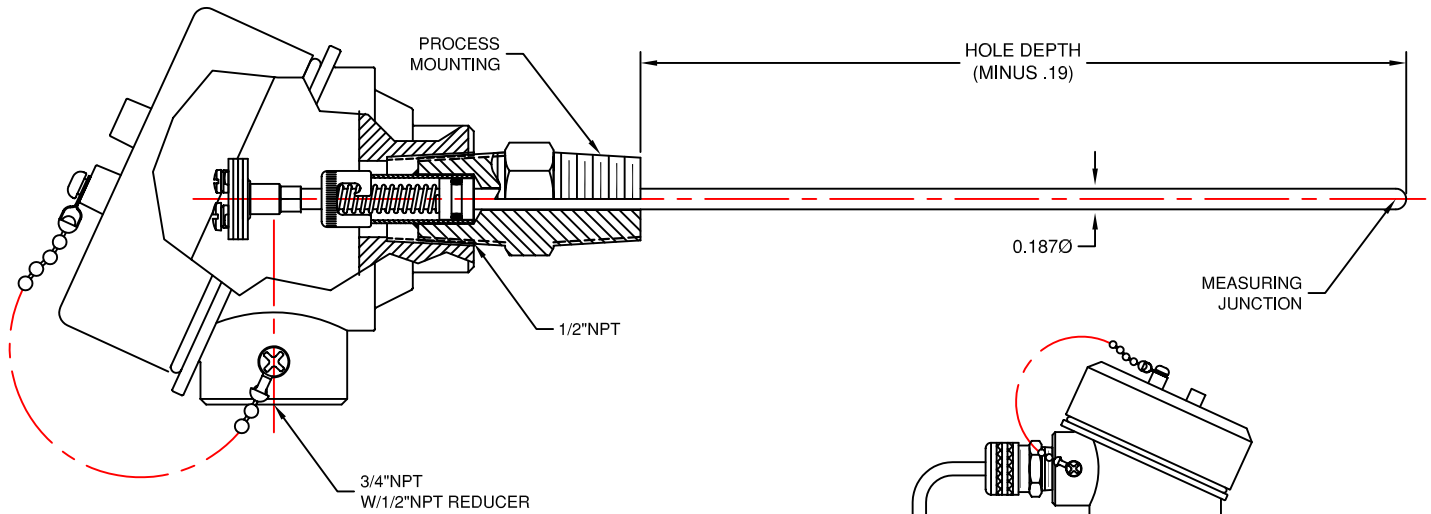


# INDUSTRIAL THERMOCOUPLES

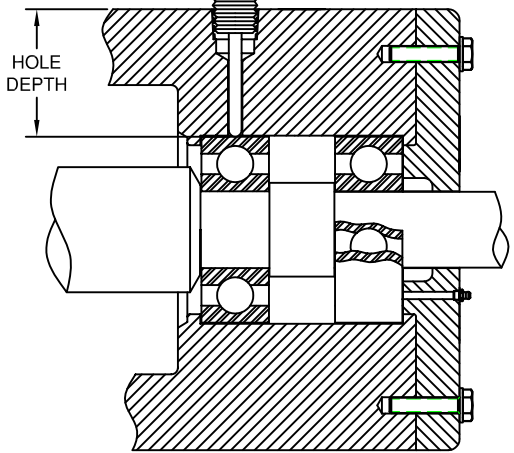
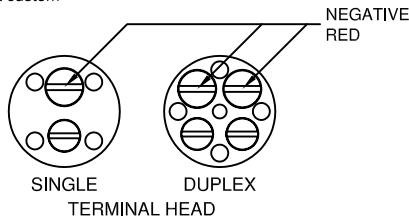


**Specifications:**

- (1) Fitting Assembly Material: Stainless Steel.
- (2) O-Ring: Viton.
- (3) Service Temperature: 400° F(205° C), Intermittent to 450 °F(260° C).

**Notes:**

- (1) Meets or exceeds Special Initial Calibration Tolerances per ANSI MC96.1-1982 and ASTM E230-1993
- (2) KKS & EES denotes stabilized thermocouple and special tolerance.
- (3) Contact factory for other calibration and sheath combinations.
- (4) Rated NEC class 1, Groups B, C and D.
- (5) ATEX approved EEx d IIC, T6.
- (6) For an item that does not fall within the catalog description an (SP) can be added to the ordering code as part of a custom construction.

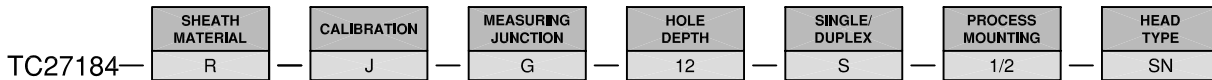


**ORDERING CODE:**

CODE		CALIBRATION	MEASURING JUNCTION		CODE	SINGLE/DUPLEX
STANDARD	SPECIAL (NOTE 1)		CODE	HOLE DEPTH		
J	JJ	IRON (+) vs CONSTANTAN (-)	G	SINGLE GROUNDED, GROUNDED TO SHEATH	S	SINGLE CONSTRUCTION
K	KK	CHROMEL (+) vs ALUMEL (-)	U	SINGLE UNGROUNDED, ISOLATED FROM SHEATH	D	DUPLEX CONSTRUCTION
T	TT	COPPER (+) vs CONSTANTAN (-)	DG	DUPLEX GROUNDED, GROUNDED TO SHEATH		
E	EE	CHROMEL (+) vs CONSTANTAN (-)	DU	DUPLEX UNGROUNDED, ISOLATED FROM SHEATH		
N	NN	NICROSIL (+) vs NISIL (-)				
-	KKS	CHROMEL (+) vs ALUMEL (-) (NOTE 2)				
-	EES	CHROMEL (+) vs CONSTANTAN (-) (NOTE 2)				

CODE	HOLE DEPTH
	IN INCHES

CODE	PROCESS MOUNTING
1/4	1/4\"NPT
3/8	3/8\"NPT
1/2	1/2\"NPT



CODE	ELEMENT SHEATH MATERIAL	STANDARD CALIBRATIONS (NOTE 3)
P	304 STN. STL.	J, K, T
R	316 STN. STL.	J, K, T, E, N
Q	310 STN. STL.	J, K, E
J	INCONEL 600	K, N, KKS, EES (NOTE 2)

CONNECTION HEAD			
CODE	MATERIAL	TYPE	NEMA
AN	ALUMINUM	WATER PROOF	4
SN	STAINLESS STEEL	WATER PROOF, CORROSION RESISTANT	4, 4X
AE	ALUMINUM	EXPLOSION PROOF (NOTE 4)	4
SE	STAINLESS STEEL	EXPLOSION PROOF, CORROSION RESISTANT (NOTE 4)	4, 4X
XD	ALUMINUM	EXPLOSION PROOF, FM, CSA APPROVED (NOTES 4 & 5)	4, 4X
AX	ALUMINUM, LARGE DEVICE, EPOXY COATED	EXPLOSION PROOF, ATEX APPROVED (NOTE 5)	4



TEMPERATURE MEASUREMENT DESIGNER'S GUIDE  
WWW.THERMO-ELECTRIC-DIRECT.COM

**SECTION INTC**  
**OIL SEAL THERMOCOUPLES**  
with FLOATING COLLAR

The information contained hereon shall be considered the sole property of Thermo Electric Company, Inc. The recipient thereof agrees not to disclose or reproduce said information to parties outside the recipient's organization without the written permission of Thermo Electric.

Doc. No.: TE-CO010109-INTC-160