

INDUSTRIAL THERMOCOUPLES

Notes:

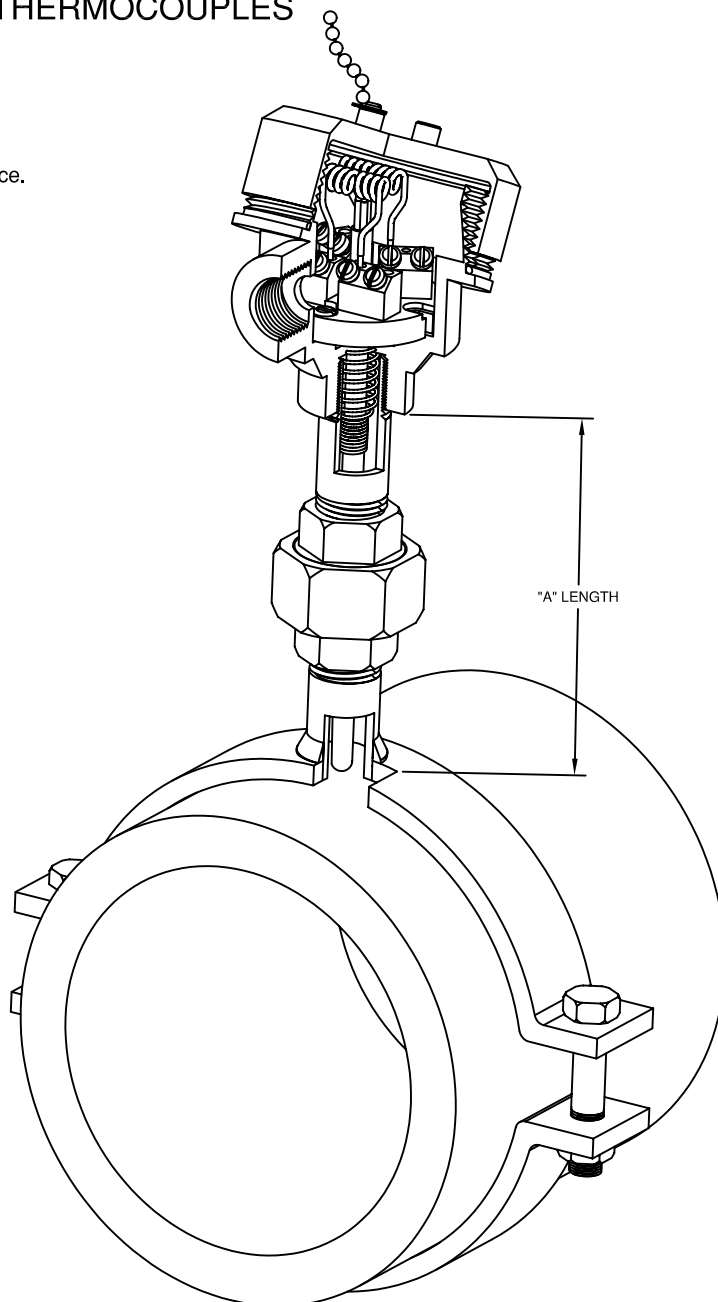
- (1) Clamp and Mounting Bolts included.
- (2) Meets or exceeds Special Initial Calibration Tolerances per ANSI MC96.1-1982 and ASTM E230-1993
- (3) KKS & EES denotes stabilized thermocouple and special tolerance.
- (4) Contact factory for other calibration and sheath combinations.
- (5) For an item that does not fall within the catalog description an (SP) can be added to the ordering code as part of a custom construction.

SPECIFICATIONS:

- (1) Clamp & Mounting Bolt Material: Carbon Steel.
- (2) Nipple Size & Material: 1/2"NPT by Sch. 40, Carbon Steel.
- (3) Union Size & Material: 1/2"NPT by 150#, Black Malleable Iron.

NOMINAL DIAMETER	
NPS	ACTUAL DIAMETER
3/4"	1.05
1"	1.315
1 1/4"	1.66
1 1/2"	1.9
2"	2.375
2 1/2"	2.875
3"	3.5
3.5"	4.0
4"	4.5
5"	5.563
6"	6.625
8"	8.625
10"	10.75
12"	12.75

NOMINAL AND ACTUAL DIAMETER SAME ON PIPE 14" AND OVER



CODE	"A" LENGTH
	IN INCHES

CODE	CONDUIT OPENING
	1/2 or 3/4NPT

CONNECTION HEAD	
CODE	MATERIAL/TYPE
AN	ALUMINUM, WATER PROOF
SN	STN. STL., WEATHER PROOF, CORROSION RESISTANT
A	CAST IRON, WEATHER PROOF, RUGGED

CODE	HEAD EXTENSION
2	NIPPLE
4	NIPPLE/UNION/NIPPLE

TC29050- - - - -

4 AN $\frac{3}{4}$ - 4 - ASL14 J G P - 10 - SS

CODE		ELEMENT CONSTRUCTION			
SINGLE	DUPLEX	DIAMETER	WIRE SIZE (AWG)	INSULATION	SPRING LOADED
ASL18	ADSL18	1/8"	24	MgO-SHEATH	YES
ASL316	ADSL316	3/16"	20	MgO-SHEATH	YES
ASL14	ADSL14	1/4"	18	MgO-SHEATH	YES
ASL516	ADSL516	1/4"	18	MgO-SHEATH	YES

CODE	OPTIONAL
	CARBON STL. (STD., LEAVE BLANK)
SS	STN. STL. NIPPLE/UNION/PIPE, CLAMP

CODE	PIPE SIZE
	SPECIFY

CODE	ELEMENT SHEATH MATERIAL	STANDARD CALIBRATIONS (NOTE 4)
P	304 STN. STL.	J, K, T
R	316 STN. STL.	J, K, T, E, N
Q	310 STN. STL.	J, K, E
J	INCONEL 600	K, N, KKS, EES (NOTE 3)

CODE		CALIBRATION
STANDARD	SPECIAL (NOTE 2)	
J	JJ	IRON (+) vs CONSTANTAN (-)
K	KK	CHROMEL (+) vs ALUMEL (-)
T	TT	COPPER (+) vs CONSTANTAN (-)
E	EE	CHROMEL (+) vs CONSTANTAN (-)
N	NN	NICROSIL (+) vs NISIL (-)
-	KKS	CHROMEL (+) vs ALUMEL (-) (NOTE 3)
-	EES	CHROMEL (+) vs CONSTANTAN (-) (NOTE 3)

CODE	MEASURING JUNCTION
G	SINGLE GROUNDED, GROUNDED TO SHEATH
U	SINGLE UNGROUNDED, ISOLATED FROM SHEATH
DG	DUPLEX GROUNDED, GROUNDED TO SHEATH
DU	DUPLEX UNGROUNDED, ISOLATED FROM SHEATH



TEMPERATURE MEASUREMENT DESIGNER'S GUIDE
WWW.THERMO-ELECTRIC-DIRECT.COM

SECTION INTC INDUSTRIAL PIPE CLAMP ASSEMBLIES

The information contained hereon shall be considered the sole property of Thermo Electric Company, Inc. The recipient thereof agrees not to disclose or reproduce said information to parties outside the recipient's organization without the written permission of Thermo Electric.

Doc. No.: TE-CO010109-INTC-180