

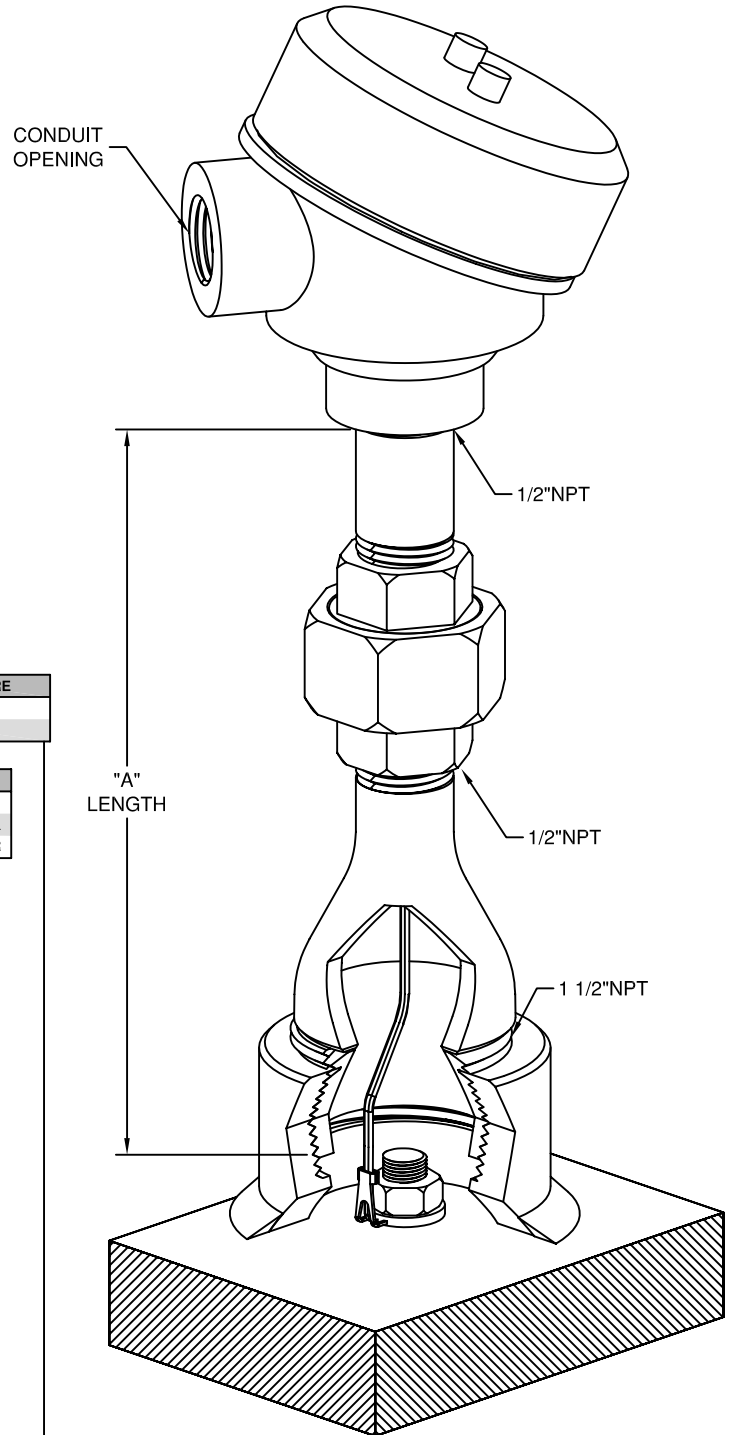
# INDUSTRIAL THERMOCOUPLES

## SPECIFICATIONS

- Nipple:  
 Material: Carbon Steel  
 Size: 1/2"NPS by Schedule 40  
 Union:  
 Material: Black Malleable Iron  
 Size: 1/2"NPS by 150#  
 Swage Nipple  
 Material: Carbon Steel  
 Steel 1/2" by 1 1/2"NPT by Schedule 80  
 Measuring Junction: Grounded  
 (Ungrounded available in Type A18 only)  
 Maximum Temperature Rating:  
 Type T: 700° F(370°C.)  
 All others in Code 1 or 3, 950°F(510°C)  
 All others in Code A18, 1200°F(650°C)

## Notes:

- (1) Meets or exceeds Special Initial Calibration Tolerances per ANSI MC96.1-1982 and ASTM E230-1993
- (2) For an item that does not fall within the catalog description an (SP) can be added to the ordering code as part of a custom construction.



CODE	STRUCTURE
S	SINGLE
D	DUPLEX

CODE	ELEMENT CONSTRUCTION
1	FIBERGLASS INSULATION AND JACKETED
3	FIBERGLASS INSULATION AND JACKETED W/ STN. STL. BRAID OVERALL
A18	MgO INSULATION WITH A 300 SERIES STN. STL. SHEATH, 1/8" DIAMETER

CODE	GASKET SIZE		
	BOLT SIZE	I. D.	O.D.
07	#10	13/64"	5/8"
08	#12	7/32"	5/8"
10	1/4"	9/32"	5/8"
12	5/16"	11/32"	5/8"
14	3/8"	13/32"	13/16"

CODE		CALIBRATION
STANDARD	SPECIAL (NOTE 1)	
J	JJ	IRON (+) vs CONSTANTAN (-)
K	KK	CHROMEL (+) vs ALUMEL (-)
T	TT	COPPER (+) vs CONSTANTAN (-)
E	EE	CHROMEL (+) vs CONSTANTAN (-)

CODE	"A" LENGTH
	IN INCHES (6" MIN.)

CODE	CONDUIT OPENING
	1/2 or 3/4NPT

CONNECTION HEAD	
CODE	MATERIAL/TYPE
AN	ALUMINUM, WATER PROOF
SN	STN. STL., WEATHER PROOF, CORROSION RESISTANT
A	CAST IRON, WEATHER PROOF, RUGGED

TC29055-  -  -  -  -  -  -  -   
 AN - 3/4 - 6 - J - 12 - 1 - S

