

# INDUSTRIAL RTD'S

HEAD EXTENSION	
A	2 NIPPLE (NOTE 1)
	4 NIPPLE/UNION/NIPPLE (NOTE 1)

CONNECTION HEAD			
CODE	MATERIAL	TYPE	NEMA
AN	ALUMINUM	WATER PROOF	4
SN	STAINLESS STEEL	WATER PROOF, CORROSION RESISTANT	4, 4X
AE	ALUMINUM	EXPLOSION PROOF (NOTE 2)	4
SE	STAINLESS STEEL	EXPLOSION PROOF, CORROSION RESISTANT (NOTE 2)	4, 4X
XD	ALUMINUM	EXPLOSION PROOF, FM, CSA APPROVED (NOTES 2 & 3)	4, 4X
A	CAST IRON	WEATHER PROOF, RUGGED	
L	POLYPROPYLENE	WEATHER PROOF, LIGHT WEIGHT	
AX	ALUMINUM, LARGE DEVICE, EPOXY COATED	EXPLOSION PROOF, ATEX APPROVED (NOTE 3)	4

C	CONDUIT OPENING	D	CODE	TUBE OPENING	E	CODE	"A" LENGTH
	1/2 or 3/4NPT		1/2	1/2NPT			IN INCHES

STRUCTURE	
F	SINGLE (LEAVE BLANK)
D	DUPLEX

SHEATH DIAMETER (STANDARD 316 STN. STL.) (NOTE 4)	
G	316 3/16" (.187)
	14 1/4" (.250)

ELEMENT TYPE (NOTE 4)					
CODE	STANDARD	MATERIAL	TCR	RESISTANCE @ 0° C.	
H	DIN 43760	PLATINUM	.00385	100 OHMS (LEAVE BLANK)	
	PT5	DIN 43760	PLATINUM	.00385	500 OHMS
	PT1	DIN 43760	PLATINUM	.00385	1000 OHMS (LT RANGE ONLY)
	JIS	JIS-C-1604-81	PLATINUM	.003916	100 OHMS
	SA	RC21-4-1966	PLATINUM	.003923	98.129 OHMS
	CU		COPPER	.00427	10 OHMS (LT RANGE ONLY)
NI		NICKEL	.00672	120 OHMS	

TEMPERATURE RANGE	
J	LT -58 to +500° F (-50 to +260° C.)
	MT -58 to +900° F (-50 to +482° C.)
	HT -292 to +932° F (-180 to +500° C) (LEAVE BLANK)
	-292 to +1202° F (-180 to +650° C) (NOTE 5)

SYSTEM	
K	2W 2 WIRE (4 WIRE TOTAL WITH DUPLEX)
	3W 3 WIRE (LEAVE BLANK)
	4W 4 WIRE (8 TOTAL WITH DUPLEX)

ACCURACY	
L	ASTM E1137 CLASS B (LEAVE BLANK)
CLA	ASTM E1137 CLASS A

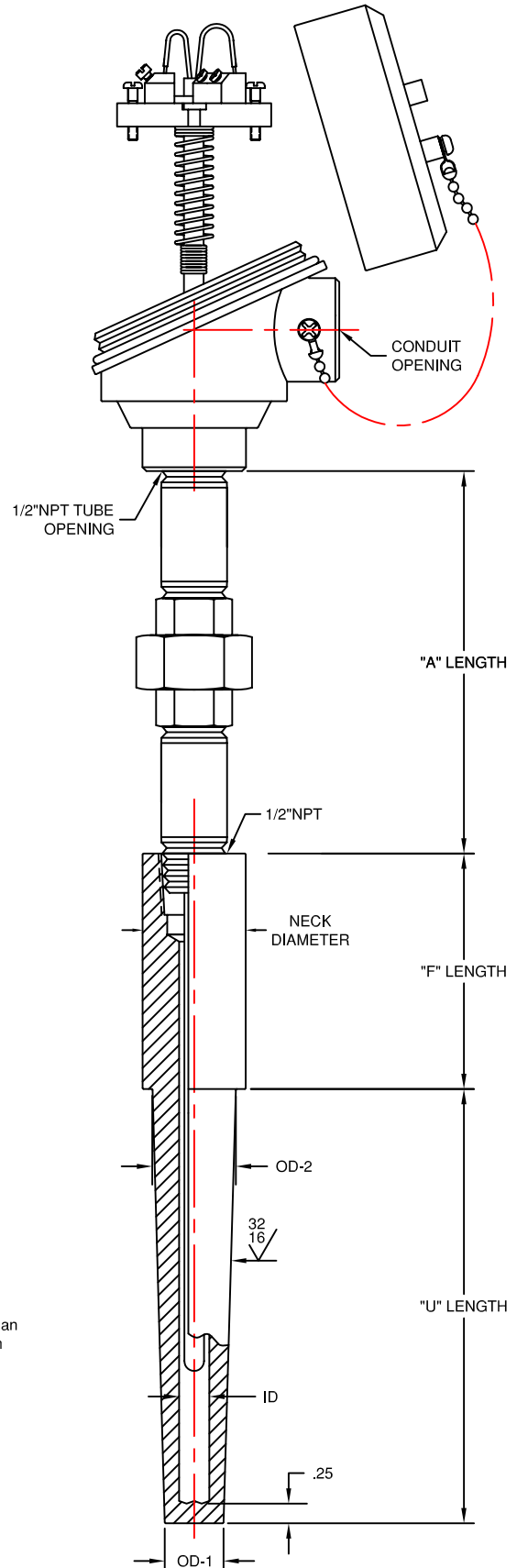
WELL TYPE					
CODE	PROCESS NPS	OD-1	OD-2 (NOTE 7)	ID	PIPE SIZE (ACTUAL)
M	01 3/4"	.750	.844	.385	3/4" (1.05")
	011 3/4"	.750	.844	.260	3/4" (1.05")
	02 1"	.750	1.063	.385	1" (1.315")
	021 1"	.750	1.063	.260	1" (1.315")

WELL MATERIAL	
N	P 304 STAINLESS STEEL
	R 316 STAINLESS STEEL
	PLorRL 304or316 S. S. (LOW CARBON)
	N CARBON STEEL
	(F11) 1.25% CR - .5% MO
	(F22) 2.25% CR - 1% MO

"F" LENGTH	
P	IN INCHES

"U" LENGTH	
Q	IN INCHES

- Notes:
- Standard Nipples - Steel, Schedule 40.  
Standard Unions - Black Malleable Iron, 150#.  
OPTIONAL STAINLESS STEEL  
Nipples - 304 or 316 Stainless Steel, Schedule 40 or 80.  
Unions - 304 or 316 Stainless Steel.  
Example Ordering Code: 4AE 3/4 1/2 6(R or R80).
  - Rated NEC class 1, Groups B, C and D.
  - ATEX approved EEx d IIC, T6.
  - Contact factory for other sheaths and element types.
  - Standard in single construction, 3 wire, class B, Inconel sheath material.
  - Shank diameter for 2000# service (Sch-40).
  - For an item that does not fall within the catalog description an (SP) can be added to the ordering code as part of a custom construction.



EXAMPLE: 4 AE  $\frac{3}{4}$  -  $\frac{1}{2}$  - 4 - D 14 PT5 LT 4W CLA - 02 R 3 - 5

A
B
C
D
E
F
G
H
J
K
L
M
N
P
Q



TEMPERATURE MEASUREMENT DESIGNER'S GUIDE  
WWW.THERMO-ELECTRIC-DIRECT.COM

**SECTION INRD**  
**DRILLED SOCKET WELD WELL ASSEMBLIES**  
**TAPERED CONSTRUCTION**  
**3/4 & 1" NPS PROCESS CONNECTIONS**

The information contained hereon shall be considered the sole property of Thermo Electric Company, Inc. The recipient thereof agrees not to disclose or reproduce said information to parties outside the recipient's organization without the written permission of Thermo Electric.

Doc. No.: TE-CO010109-INRD-050