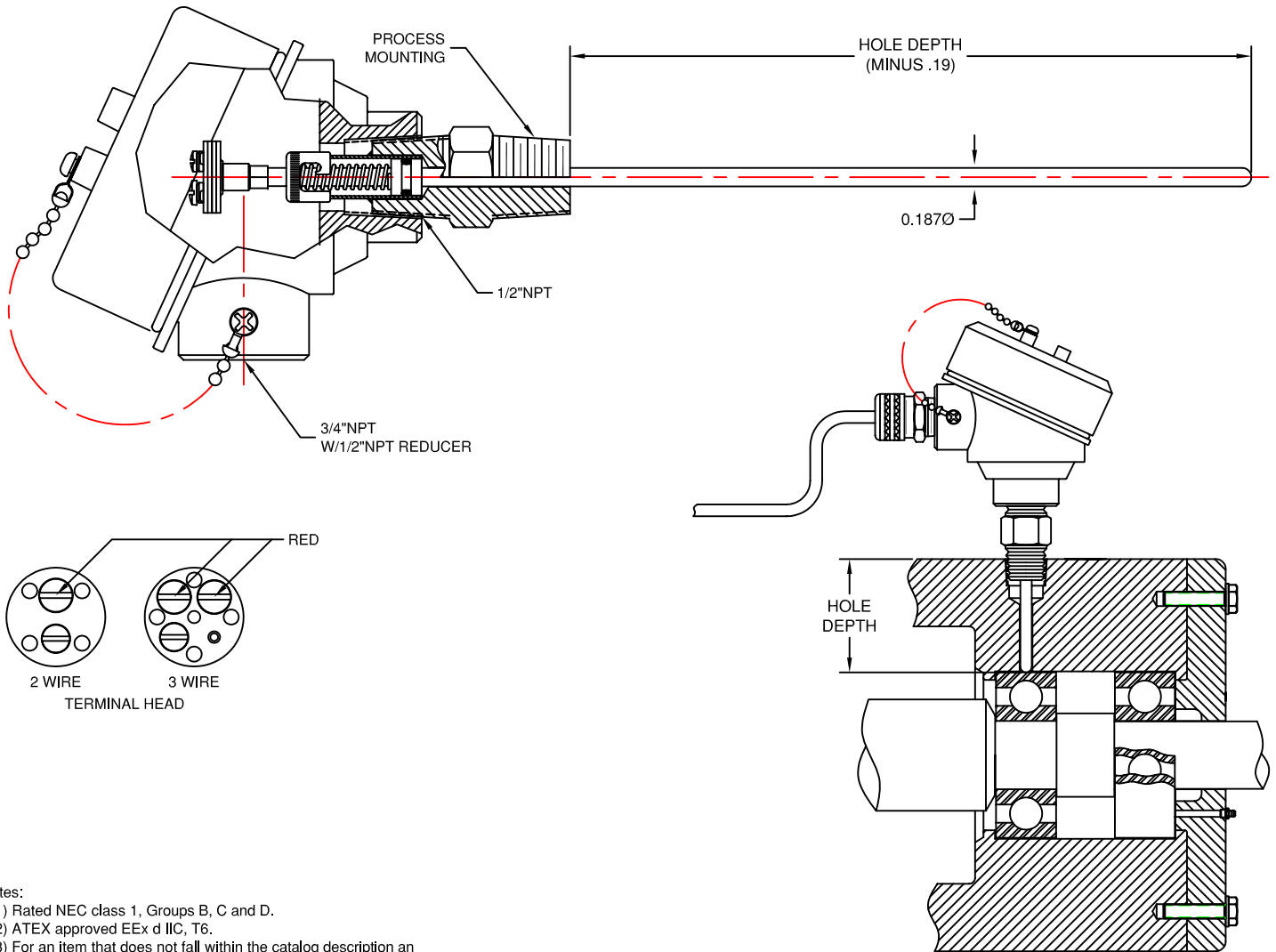


INDUSTRIAL RTD'S



- Notes:
- (1) Rated NEC class 1, Groups B, C and D.
 - (2) ATEX approved EEx d IIC, T6.
 - (3) For an item that does not fall within the catalog description an (SP) can be added to the ordering code as part of a custom construction.

CODE	HOLE DEPTH	CODE	PROCESS MOUNTING	CODE	SYSTEM	CODE	ACCURACY
	IN INCHES	1/4	1/4\"NPT	2W	2 WIRE	CLA	ASTM E1137 CLASS A
		3/8	3/8\"NPT		3 WIRE (LEAVE BLANK)		ASTM E1137 CLASS B (LEAVE BLANK)
		1/2	1/2\"NPT				

ORDERING CODE:



CODE	CONNECTION HEAD			NEMA
	MATERIAL	TYPE		
AN	ALUMINUM	WATER PROOF		4
SN	STAINLESS STEEL	WATER PROOF, CORROSION RESISTANT		4, 4X
AE	ALUMINUM	EXPLOSION PROOF (NOTE 1)		4
SE	STAINLESS STEEL	EXPLOSION PROOF, CORROSION RESISTANT (NOTE 1)		4, 4X
XD	ALUMINUM	EXPLOSION PROOF, FM, CSA APPROVED (NOTES 1 & 2)		4, 4X
AX	ALUMINUM, LARGE DEVICE, EPOXY COATED	EXPLOSION PROOF, ATEX APPROVED (NOTE 2)		4

Specifications:
 RTD Element
 Type: Platinum, 3-Wire
 Resistance @ 0° C: 100 OHMS
 Temperature Coefficient to Resistance: .00385
 Sheath Material: 316 Stainless Steel
 Fitting Assembly Material: Stainless Steel.
 O-Ring: Viton.
 Service Temperature: 400° F(205° C), Intermitting to 450° F(260° C).



TEMPERATURE MEASUREMENT DESIGNER'S GUIDE
 WWW.THERMO-ELECTRIC-DIRECT.COM

SECTION INRD

OIL SEAL RTD'S with FLOATING COLLAR (SINGLE CONSTRUCTION ONLY)

The information contained hereon shall be considered the sole property of Thermo Electric Company, Inc. The recipient thereof agrees not to disclose or reproduce said information to parties outside the recipient's organization without the written permission of Thermo Electric.

Doc. No.: TE-CO010109-INRD-160