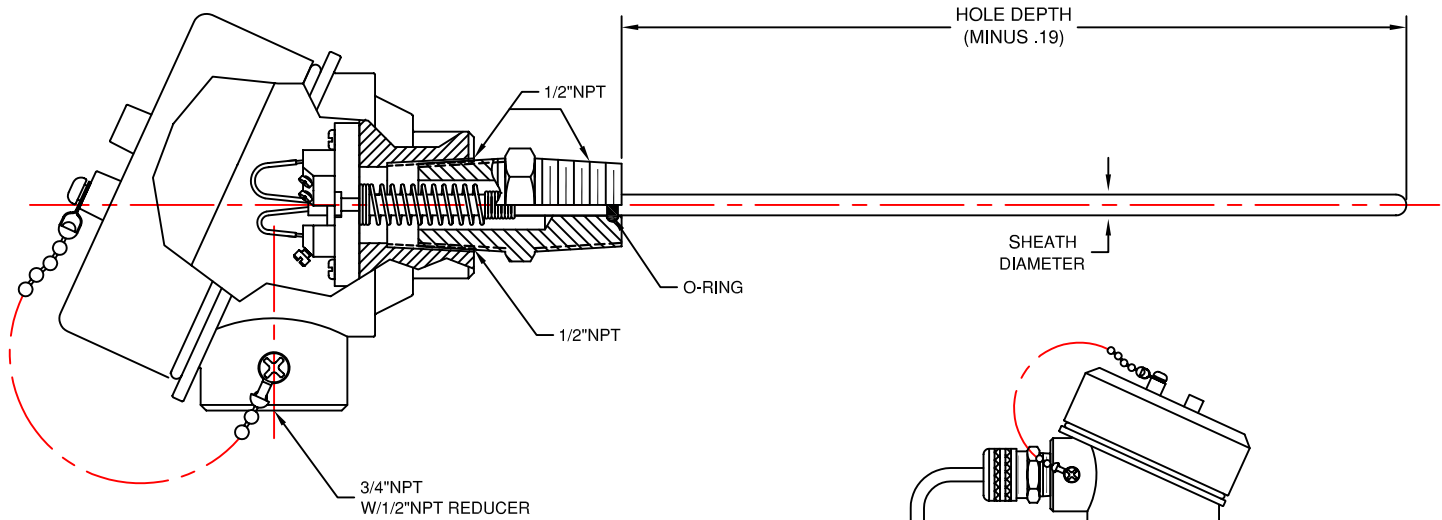
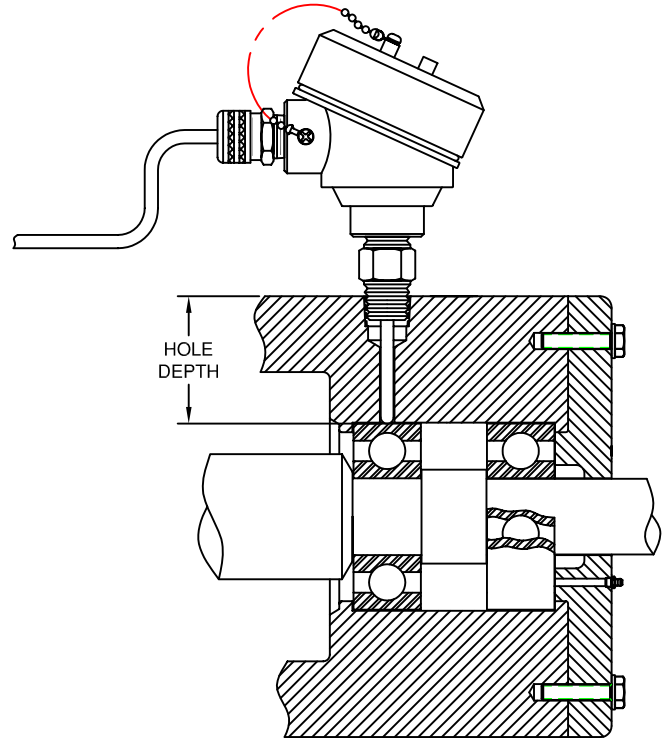


INDUSTRIAL RTD'S



Specifications:
 RTD Element
 Type: Platinum
 Resistance @ 0° C: 100 OHMS
 Temperature Coefficient to Resistance: .00385
 Sheath Material: 316 Stainless Steel
 Fitting Assembly Material: Stainless Steel.
 O-Ring: Viton.
 Service Temperature: 400° F(205° C), Intermitting
 to 450° F(260° C).

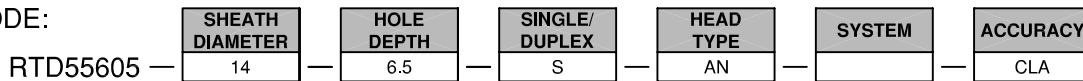


Notes:

- (1) Rated NEC class 1, Groups B, C and D.
- (2) ATEX approved EEx d IIC, T6.
- (3) For an item that does not fall within the catalog description an (SP) can be added to the ordering code as part of a custom construction.

| CODE | SHEATH DIAMETER | CODE | HOLE DEPTH | CODE | STRUCTURE | CODE | SYSTEM |
|------|-----------------|------|------------|------|---------------------|------|-------------------------------------------------------------|
| 316 | 3/16" (.187) | | IN INCHES | S | SINGLE CONSTRUCTION | 2W | 2 WIRE (4 WIRE TOTAL WITH DUPLEX) 3 WIRE (LEAVE BLANK) |
| 14 | 1/4" (.250) | | | D | DUPLEX CONSTRUCTION | 4W | 4 WIRE (8 WIRE TOTAL WITH DUPLEX) |

ORDERING CODE:



| CONNECTION HEAD | | | |
|-----------------|--------------------------------------|-------------------------------------------------|-------|
| CODE | MATERIAL | TYPE | NEMA |
| AN | ALUMINUM | WATER PROOF | 4 |
| SN | STAINLESS STEEL | WATER PROOF, CORROSION RESISTANT | 4, 4X |
| AE | ALUMINUM | EXPLOSION PROOF (NOTE 1) | 4 |
| SE | STAINLESS STEEL | EXPLOSION PROOF, CORROSION RESISTANT (NOTE 1) | 4, 4X |
| XD | ALUMINUM | EXPLOSION PROOF, FM, CSA APPROVED (NOTES 1 & 2) | 4, 4X |
| AX | ALUMINUM, LARGE DEVICE, EPOXY COATED | EXPLOSION PROOF, ATEX APPROVED (NOTE 2) | 4 |

| CODE | ACCURACY |
|------|----------------------------------|
| | ASTM E1137 CLASS B (LEAVE BLANK) |
| CLA | ASTM E1137 CLASS A |



TEMPERATURE MEASUREMENT DESIGNER'S GUIDE
 WWW.THERMO-ELECTRIC-DIRECT.COM

SECTION INRD OIL SEAL RTD'S

The information contained hereon shall be considered the sole property of Thermo Electric Company, Inc. The recipient thereof agrees not to disclose or reproduce said information to parties outside the recipient's organization without the written permission of Thermo Electric.

Doc. No.: TE-CO010109-INRD-170