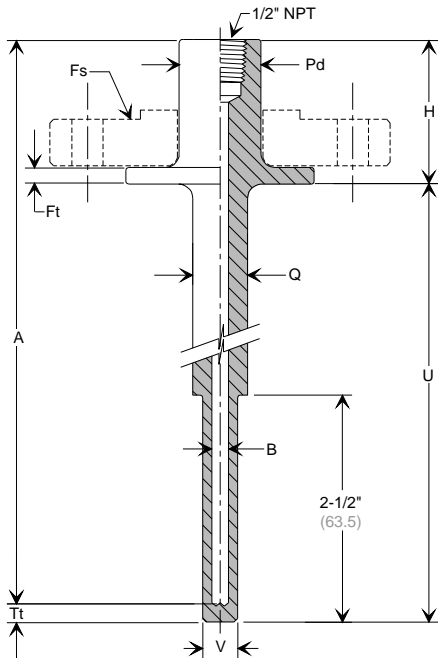


Q-Style Vanstone Stepped Thermowells



Q Fs Pr Ft H Pd U Tt A M B Q V O

FS- Flange Size

1", 1-1/2", and 2", refer to table 1.9 on page 15
Other

Pr- Flange Rating

150#, 300#, 400#, 600#, 900#, 1500# and 2500#

Ft- Flange Thickness

0.375" (9.5)
Other

H - Head Length

2.250"(57.2)
3.250"(82.6)
Other

Pd- Pipe Diameter

1.315" (33.4), for 1" flange size
1.900" (48.3), for 1-1/2" flange size
2.375" (60.3), for 2" flange size
Other

U - Insertion Length

decimal units

Tt - Tip Thickness

0.250" (6.4)
Other

A - Stem Length

decimal units

M - Material

refer to table 2.0 on page 23

B - Bore Size

0.260 (6.6)
Other

Q - Root Diameter

0.750" (19.1), refer to table 1.11 on page 15
Other, refer to table 1.11 on page 15

V - Tip Diameter

0.500", (12.7)
Other

O - Options

refer to page 22

Sample Part No.: Q15 - 150# - 0.375" - 3.250" - 2.375" - 6.000" - 0.250" - 9.000" - R/RL - 0.260" - 0.750" - 0.500" - DR11a, SC3

Notes

1. Most Vanstone thermowells are fabricated from one piece bar stock. A two piece construction could be considered for economic reasons.
2. Contact a sales representative when requiring a thermowell not listed in this catalogue.
3. Metric dimensions are in brackets.