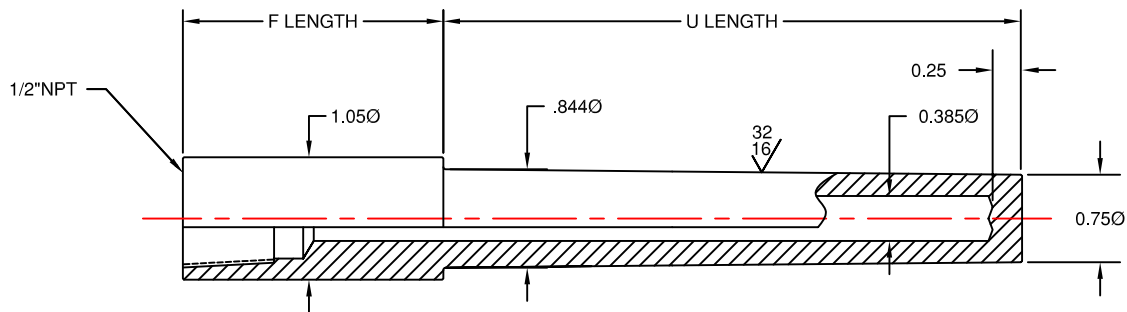
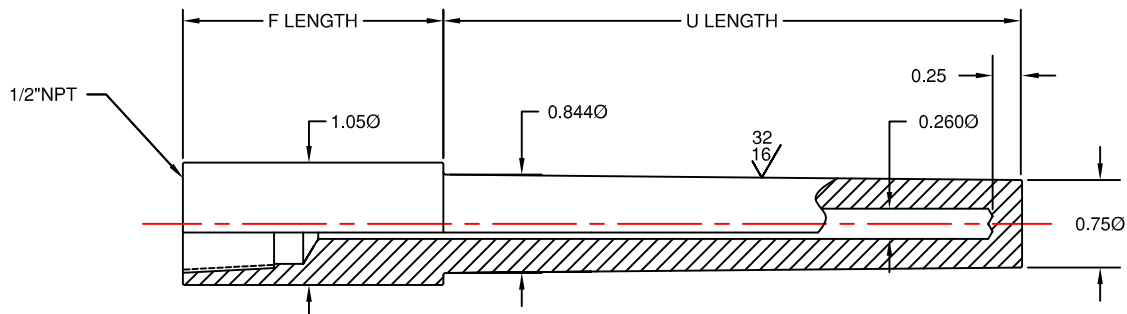


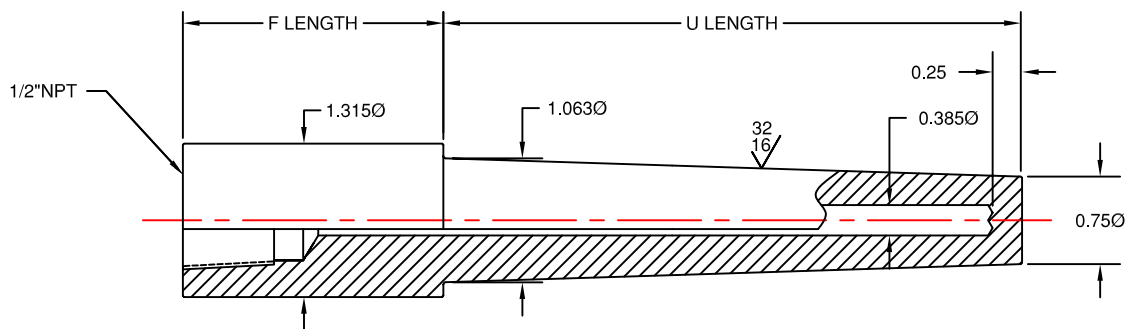
THERMOWELLS



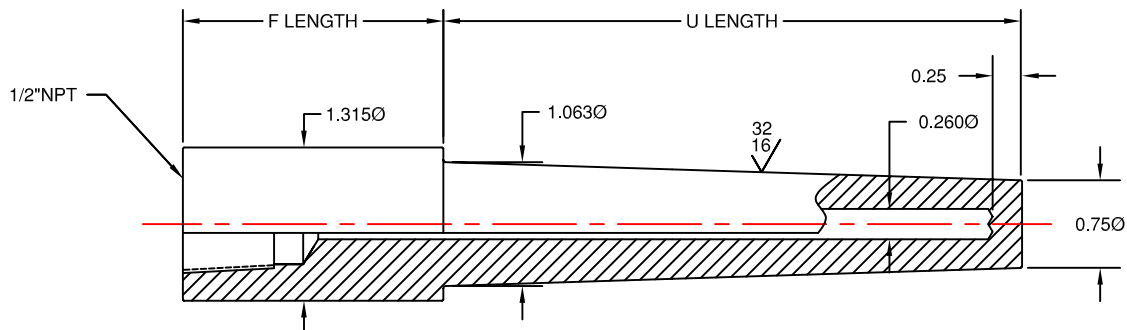
TYPE 01



TYPE 011



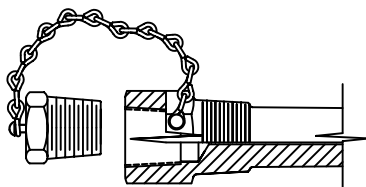
TYPE 02



TYPE 021

STANDARD TOLERANCES

U LENGTH
12" or Less $\pm .063$
12" or Over $\pm .13$
F LENGTH
 $\pm .25$
STEM DIAMETER
 $\pm .015$
BORE DIAMETER
 $+ .005 / - .003$
END THICKNESS
 $\pm .063$



PLUG & CHAIN
Prevent foreign matter from entering test wells when not in use. Plugs are available in Brass or Stainless Steel. A captive chain is attached to prevent loss.
To order as a test well specify plug & chain code letters after well ordering code.

| CODE | PLUG & CHAIN |
|-------|--------------|
| -BPC | BRASS |
| -SSPC | STN. STL. |

ORDERING CODE

TW

| CODE | THERMOWELL TYPE (INSERT WELL TYPE) | CODE | U LENGTH (IN INCHES) |
|------|---------------------------------------|------|-------------------------|
| | | | |

| CODE | WELL MATERIAL | CODE | F LENGTH (IN INCHES) |
|-----------------|---|------|-------------------------|
| P | 304 STN. STL. | | |
| R | 316 STN. STL. | | |
| PLorRL (F11) | 304 or 316L STN. STL. 1.25% CR. - .5 MO. | | |
| N | CARBON STEEL | | |



TEMPERATURE MEASUREMENT DESIGNER'S GUIDE
WWW.THERMO-ELECTRIC-DIRECT.COM

SECTION TWPT
DRILLED SOCKET
THERMOWELLS

The information contained hereon shall be considered the sole property of Thermo Electric Company, Inc. The recipient thereof agrees not to disclose or reproduce said information to parties outside the recipient's organization without the written permission of Thermo Electric.

Doc. No.: TE-CO010109-TWPT-010