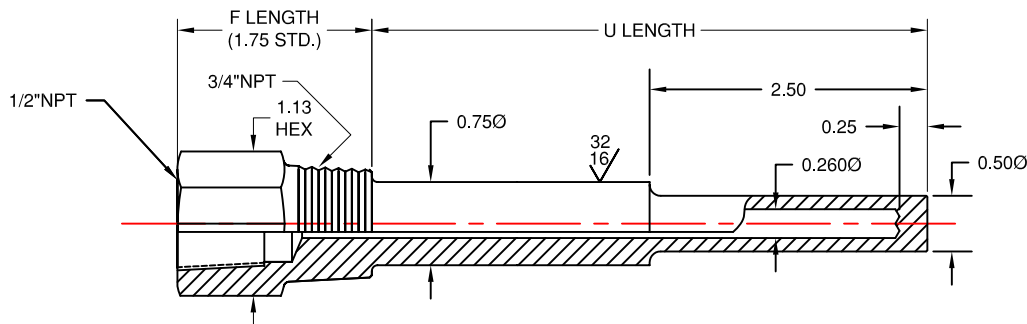
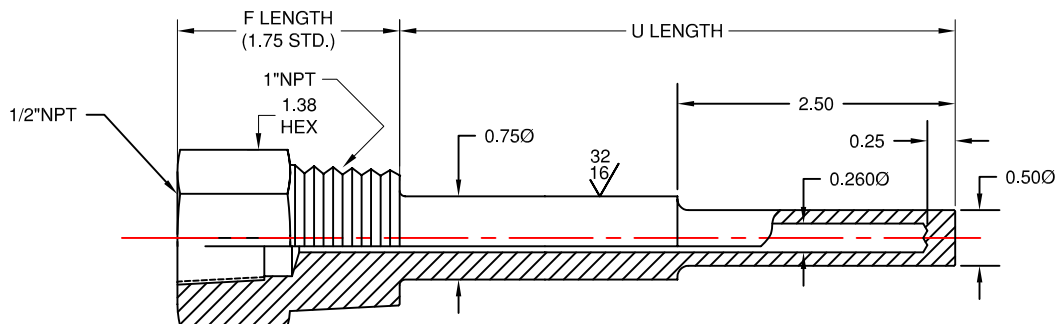


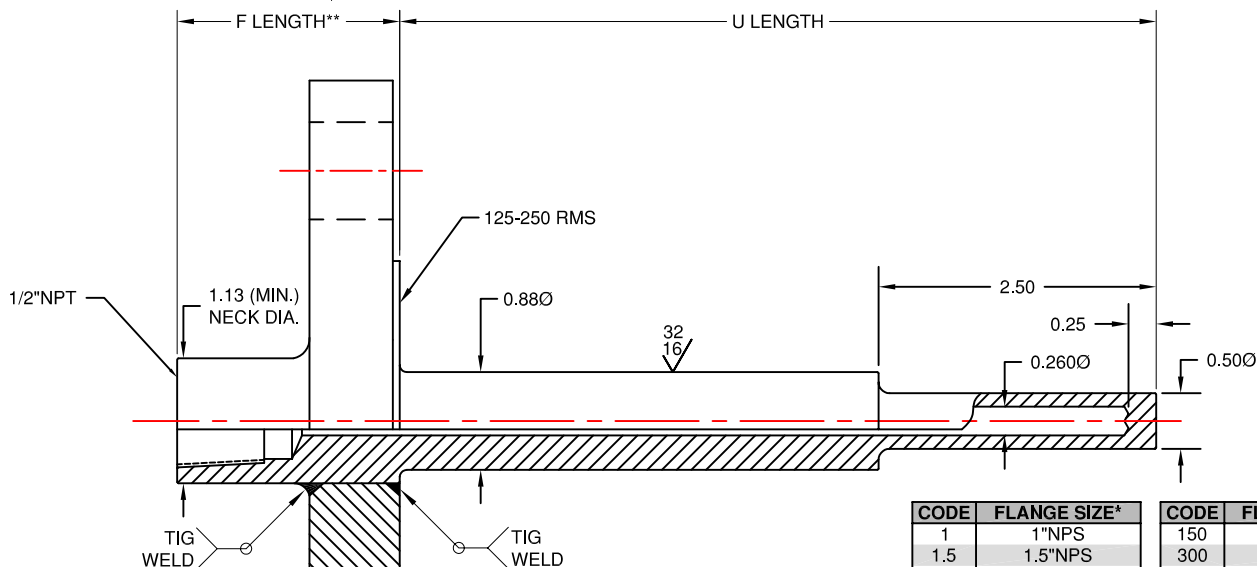
THERMOWELLS



TYPE 122



TYPE 142



TYPE 432

CODE	FLANGE SIZE*	CODE	FLANGE RATING*
1	1"NPS	150	150 LBS.
1.5	1.5"NPS	300	300 LBS.
2	2"NPS	600	600 LBS.
2.5	2.5"NPS	900	900 LBS.
3	3"NPS	1500	1500 LBS.

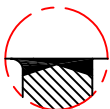
ORDERING CODE

TW [] [] [] - [] [] [] []

*Applies to Type 432 Only

STANDARD TOLERANCES

- U LENGTH
12" or Less ± 0.063
12" or Over ± 0.13
- F LENGTH
 ± 0.25
- STEM DIAMETER
 ± 0.015
- BORE DIAMETER
 $+0.005/-0.003$
- END THICKNESS
 ± 0.063



OPTIONAL FULL PENETRATION WELD (Add (FP) to end of Ordering Code)

PLUG & CHAIN
Prevent foreign matter from entering test wells when not in use. Plugs are available in Brass or Stainless Steel. A captive chain is attached to prevent loss. To order as a test well specify plug & chain code letters after well ordering code.

CODE	PLUG & CHAIN
-BPC	BRASS
-SSPC	STN. STL.

CODE	THERMOWELL TYPE (INSERT WELL TYPE)

CODE	WELL MATERIAL
P	304 STN. STL.
R	316 STN. STL.
PLorRL (F11)	304 or 316L STN. STL.
N	1.25% CR. - .5 MO. CARBON STEEL

CODE	FLANGE TYPE*
FF	FLAT FACE
RF	RAISED FACE
RJ	RING JOINT

CODE	U LENGTH (IN INCHES)

CODE	F LENGTH** (IN INCHES)

**2" Minimum Length For Flanged Thermowells, May Be Longer For Larger Flange Sizes.



TEMPERATURE MEASUREMENT DESIGNER'S GUIDE
WWW.THERMO-ELECTRIC-DIRECT.COM

SECTION TWPT DRILLED THREADED & FLANGED THERMOWELLS STEPPED DOWN SHANK

The information contained hereon shall be considered the sole property of Thermo Electric Company, Inc. The recipient thereof agrees not to disclose or reproduce said information to parties outside the recipient's organization without the written permission of Thermo Electric.

Doc. No.: TE-CO010109-TWPT-060