



Model 3400

Pressure Only Vent To Atmosphere

OBJECTIVE

The Model 3400 pressure vents are designed vent is designed for use on atmospheric and low-pressure storage tanks where pressure relief is required.

TECHNIQUE

Under normal operating conditions, the pallet assembly is closed providing a vapor-tight seal. In the event the tank pressure increases to the set point of the Model 3400, the pallet lifts to vent excess vapors thereby protecting tank from dangerous over-pressurization. Pallet automatically closes and reseals when the pressure is reduced.

CONSTRUCTION

Flange and Weather Hood Material: 2-inch thru 12-inch available in Aluminum, Carbon Steel, 316 Stainless Steel or Corrosion Resistance Fiberglass.

Trim Material: 316 SST - Standard on all metal vents. Fiberglass - Standard on all FRP vents.

Diaphragm Material: FEP Teflon - Standard. Other materials available on request.

SPECIAL FEATURES

Easy Inspection. Easy Inspection: The Model 3400 vent is a rugged design and made to last. It is light weight for easy handling, inspection and maintenance. Coarse mesh screen prevents entry of foreign matter into seating area.

Maintains Accurate Settings. The minimum setting available is ½ oz/in². For all sizes the maximum pressure setting is 3 psig. If higher settings are required see Valve Concepts Series 4400 Spring Loaded Vent or Valve Concepts Series 5400 Pilot Operated Vent. All vents are tested to Valve Concepts, Inc. high standard for leakage and set point prior to shipment. A certified test certificate is included with each vent verifying the accuracy. A leakage rate of less than 1 SCFH at 90% of set point is verified.

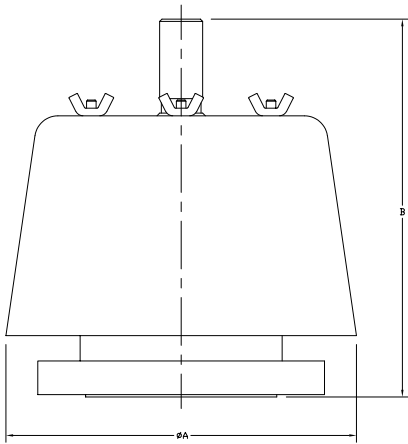
Air-Cushioned Seating. Vent pallet assembly incorporates a flat, smooth film of FEP Teflon to form a floating air seal. All units are tested to Valve Concepts, Inc. high standards to insure low leakage rates. Leakage rates is no more than 1 SCFH at 90% of customer specified set point. As with all vents supplied by Valve Concepts, Inc. a certified test report is provided.

Numerous Sizes Available. All CS and SST vents sizes 2-inch thru 12-inch mate with standard ANSI RF flange. All Aluminum and FRP vents mate with 125# flat face flange.

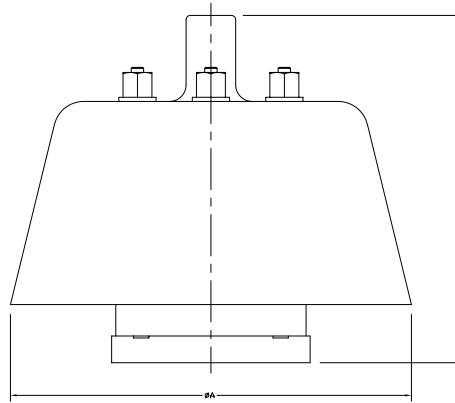
TABLE 1

MATERIALS OF CONSTRUCTION			
Series	Housing	Pallets *	Seats
3400CS	CS	316 SST	Teflon®
3400SST	316 SST	316 SST	Teflon®
3400D	Derakane® 470	Derakane® 470	Teflon®
3400E	Derakane® 411	Derakane® 411	Teflon®
3400F	Furan	Furan	Teflon®
3400ALUM	Aluminum	316 SST	Teflon®

SPECIFICATIONS



**Standard Construction for Carbon Steel
& Stainless Steel Housing & Pallets**



**Standard Construction for Corrosion
Resistant Fiberglass Housing & Pallets**

DIMENSIONS – Standard Construction for Carbon Steel & Stainless Steel Housing & Pallets		
Size	A	B
2"	7.50"	8.36"
3"	9.17"	9.88"
4"	9.62"	11.77"
6"	13.00"	13.67"
8"	16.00"	15.25"
10"	19.00"	17.03"
12"	25.50"	19.69"
DIMENSIONS – Standard Construction for Corrosion Resistant Fiberglass Housing & Pallets		
2"	12.12"	10.50"
3"	12.12"	10.50"
4"	15.91"	11.55"
6"	16.32"	13.34"
8"	22.35"	16.16"
10"	23.04"	17.46"
12"	26.59"	18.83"

3400 Series PRODUCT CODE

04/24/06

34

0

Table
1

Table
2

A

TABLE 1 SIZE	
Size	CODE
2"	2
3"	3
4"	4
6"	6
8"	8
10"	A
12"	B

TABLE 2 - BODY/STUDS & NUTS MATERIALS		
Material	W/O Flamescreen	W/ Flamescreen
	CODE	CODE
CS/SST	C	D
SST/SST	S	T
Derakane 470/SST	F	
Derakane 470/ Hastelloy	H	
Derakane 411/SST	K	
Derakane 411/ Hastelloy	L	
Furan/SST	G	
Furan/Hastelloy	J	
ALUM./SST	A	B

Valve Concepts, Inc.
 A Cashco Company
 607 W. 15th Street
 Ellsworth, KS 67439
 PH (785) 472-4461
 Fax. # (785) 472-3539
 www.valveconcepts.com
 email: vcisales@cashco.com
 Printed in U.S.A. Model 3400 TB