



Model 7100 Inline Flame Arrestor

OBJECTIVE

The Model 7100 inline flame arrestor is designed to utilize the all 316L SST flame cell element to quench the flame in the piping by absorbing the heat from the flame. This provides an extinguishing barrier to the ignited vapor mixture.

TECHNIQUE

The crimped 316L metal ribbon allows vapor to pass through it in order to allow a vessel to breathe, yet prevents the propagation of a flame from the exposed side to the protected side. This is done by the absorption of heat by the element itself.

CONSTRUCTION

Housing Material: Available in Ductile Iron, Aluminum, Carbon Steel, 304 SST, or 316L SST.

Trim Material: 316L SST Element. Standard flame cell is suitable for NEC group D or IEC IIA gases. Cells for other gas groups are available upon request.

SPECIAL FEATURES

The Model 7100 is designed, manufactured, and tested according to API 2000 and British Standard Specification Code BS7244.

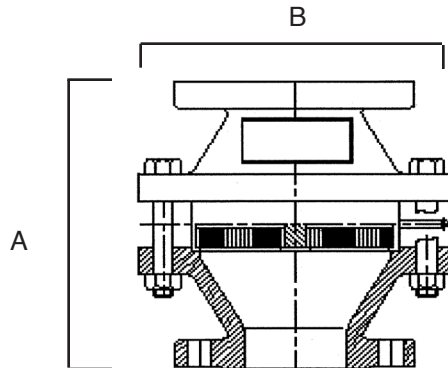
Easy Maintenance: The Model 7100 vent is a passive device with no moving parts, elements can be removed for cleaning in appropriate solvent solution.

Sizes:

Units are available in 1" thru 24" line size with intergal cast 150# ANSI flanges.



SPECIFICATIONS



| DIMENSIONS – Standard Construction for Carbon Steel & Stainless Steel Housing & Stainless Steel Element | | |
|---|-------|-------|
| SIZE | A | B |
| 1" | 8.8" | 6.1" |
| 2" | 9.1" | 8.7" |
| 3" | 9.9" | 9.8" |
| 4" | 10.2" | 11.2" |
| 6" | 12.6" | 15.2" |
| 8" | 13.4" | 17.7" |
| 10" | 14.3" | 23.6" |
| 12" | 17.8" | 26.8" |
| 14" | 34.5" | 30.7" |
| 16" | 34.5" | 30.7" |
| 20" | 41.4" | 40.0" |
| 24" | 49.2" | 48.4" |

7100 Series PRODUCT CODE

02/22/06



| TABLE 1 SIZE | |
|--------------|------|
| Size | CODE |
| 1" | 1 |
| 1 1/2" | 7 |
| 2" | 2 |
| 3" | 3 |
| 4" | 4 |
| 6" | 6 |
| 8" | 8 |
| 10" | A |
| 12" | B |
| 14" | C |
| 16" | D |
| 20" | E |
| 24" | F |

| TABLE 2 - BODY/ELEMENT MATERIALS | |
|----------------------------------|------|
| Material | CODE |
| DI/SST | F |
| Alum/SST | A |
| CS/SST | C |
| 304 SST/SST | R |
| 316 SST/SST | S |

Valve Concepts, Inc.
 A Cashco Company
 607 W. 15th Street
 Ellsworth, KS 67439
 PH (785) 472-4461
 Fax. # (785) 472-3539
 www.valveconcepts.com
 email: vcisales@cashco.com
 Printed in U.S.A. Model 7100 TB