

Model 7400

In-line (Horizontal) Flame Arrestor

OBJECTIVE

The Model 7400 SST flame cell element is designed to quench the flame in gas piping systems by absorbing the heat from the flame. This provides an extinguishing barrier to the ignited vapor mixture. The Model 7400, when mounted horizontally, is specifically designed to prevent liquid accumulation in the element assembly.

TECHNIQUE

The crimped 316L metal ribbon allows vapor to pass through it with minimum pressure drop in order to allow a vessel to breathe, yet prevents the propagation of a flame from the exposed side to the protected side. This is done by the absorption of heat by the element itself.

CONSTRUCTION

Housing Material: Available in Ductile Iron, Aluminum, Carbon Steel, 304 SST, or 316L SST.

Trim Material: 316L SST Element. Standard flame cell is suitable for NEC Group D or IEC IIA gases. Cells for other gas groups are available upon request.

SPECIAL FEATURES

The Model 7400 is designed, manufactured, and tested according to API 2000 and British Standard Specification Code BS7244.

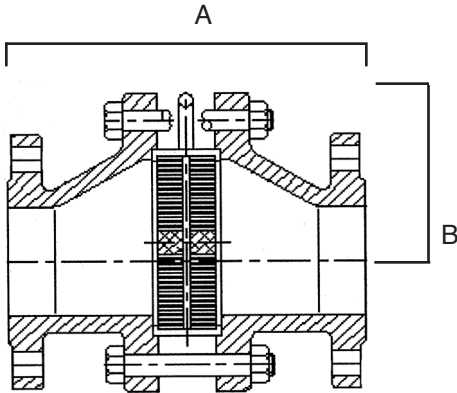
Easy Maintenance: The Model 7400 vent is a passive device with no moving parts, elements can be removed for cleaning in appropriate solvent solution.

Sizes:

Units are available in 2" thru 24" line size with integral cast 150# ANSI flanges.



SPECIFICATIONS



DIMENSIONS – Standard Construction for Carbon Steel & Stainless Steel Housing & Stainless Steel Element		
SIZE	A	B
2"	9.1"	4.3"
3"	9.9"	4.9"
4"	10.2"	5.6"
6"	12.6"	7.6"
8"	13.3"	8.9"
10"	14.3"	11.8"
12"	17.8"	13.4"
14"	34.4"	15.4"
16"	34.4"	15.4"
20"	41.3"	22.6"
24"	49.2"	24.2"

7400 Series PRODUCT CODE

02/17/06



TABLE 1 SIZE	
Size	CODE
2"	2
3"	3
4"	4
6"	6
8"	8
10"	A
12"	B
14"	C
16"	D
20"	E
24"	F

TABLE 2 - BODY/ELEMENT MATERIALS	
Material	CODE
DI/SST	F
Alum/SST	A
CS/SST	C
304 SST/SST	R
316 SST/SST	S

Valve Concepts, Inc.
 A Cashco Company
 607 W. 15th Street
 Ellsworth, KS 67439
 PH (785) 472-4461
 Fax. # (785) 472-3539
 www.valveconcepts.com
 email: vcisales@cashco.com
 Printed in U.S.A. Model 7200 TB