



## Model 7300

### Inline Detonation Arrestor

#### **OBJECTIVE**

The Model 7300 inline detonation flame arrestor is designed to provide protection against flame propagation in piping systems that are manifolded or have long runs. The arrestors are designed to stop an ignited flammable vapor mixture travelling at subsonic or supersonic vapor velocities within the gas medium, and to protect against continuous burning against the 316L SST flame cell for a specific period of time.

#### **CONSTRUCTION**

**Housing Material:** Available in Carbon Steel, 304 SST, or 316L SST.

**Trim Material:** 316L SST flame cell. Standard flame cell is suitable for NEC group D or IEC IIA gases. Cells for other gas groups are available upon request.

#### **SPECIAL FEATURES**

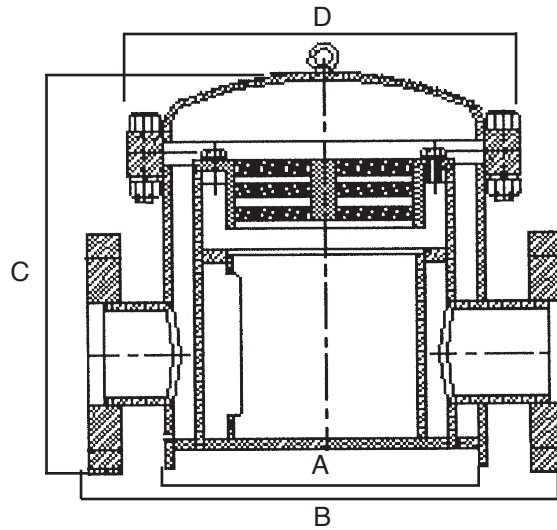
The Model 7300 is designed, manufactured, and tested according to API 2000 and British Standard Specification Code BS7244.

#### **Sizes:**

Units are available in 1" thru 12" line size with Integral cast 150# ANSI flanges.



**SPECIFICATIONS**



DIMENSIONS – Standard Construction for Carbon Steel & Stainless Steel Housing & Pallets				
SIZE	A	B	C	D
1"	8.5"	13.8"	15.0"	11.4"
1 1/2"	8.5"	13.8"	15.0"	11.4"
2"	10.5"	15.8"	17.3"	12.9"
3"	10.5"	15.8"	17.3"	12.9"
4"	14.0"	22.8"	18.9"	16.5"
6"	16.0"	27.6"	19.5"	19.3"
8"	20.0"	29.5"	21.7"	22.8"
10"	24.0"	31.9"	24.0"	27.2"
12"	28.2"	37.6"	26.4"	32.3"

**7300 Series PRODUCT CODE**

02/17/05



TABLE 1 SIZE	
Size	CODE
1"	1
1 1/2"	7
2"	2
3"	3
4"	4
6"	6
8"	8
10"	A
12"	B

TABLE 2 - BODY/ELEMENT MATERIALS	
Material	CODE
CS/SST	C
304 SST/SST	R
316 SST/SST	S

Valve Concepts, Inc.  
 A Cashco Company  
 607 W. 15th Street  
 Ellsworth, KS 67439  
 PH (785) 472-4461  
 Fax. # (785) 472-3539  
 www.valveconcepts.com  
 email: vcisales@cashco.com  
 Printed in U.S.A.      Model 7300 TB